

PROUDLY HANDMADE IN THE USA  
WITH AMERICAN COMPONENTS

# TOMCAT®

COMMERCIAL CLEANING EQUIPMENT

## FULL LINE



COMPACT SCRUBBERS



BURNISHERS



CHEMICAL FREE



RIDER SCRUBBERS



FLOOR MACHINES



# Made in USA . . . Sold & Supported Worldwide

Since 1986, our family owned company has been designing, building and supporting the best in floor maintenance equipment. Our **TOMCAT** brand services the world with unsurpassed commercial cleaning equipment, continually exceeding expectations and setting the industry bar that much higher. We favor the American Economy, and are committed to legitimate environmental best practices. Our investment in technology ensures a superior product and support for our customers. We want to ensure that we provide only the best in customer service, and that begins with our knowledgeable in-house customer support staff.

We've built our reputation by providing the highest value machines and providing local support via over 400 distributors in 42 different countries. Our Authorized Distributors maintain a "factory trained" technical department, with a vested interest in our customers' long term satisfaction. **TOMCAT** offers a full line of equipment that includes sweepers, scrubbers and burnishers in both walk behind and rider models.



**Call For A  
Demonstration:  
(800) 450-9824  
+011-262-681-6470  
[www.tomcatequip.com](http://www.tomcatequip.com)**

## Distributor Near You



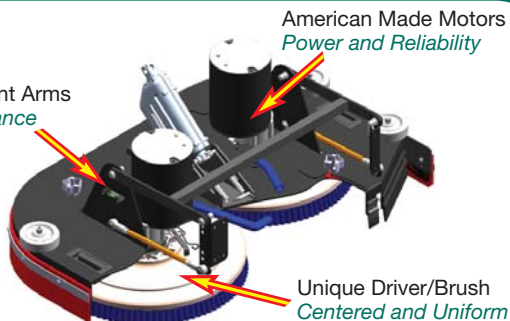
## Partial List of Countries We Serve

Japan	Holland	Saudi Arabia
Russia	Belgium	United Arab Emirates
South Korea	Ireland	Oman
Australia	Switzerland	South Africa
New Zealand	France	Malaysia
China	Poland	Barbados
Germany	Mexico	Bahamas
Sweden	Ecuador	Spain
Norway	Chile	Czech Republic
Finland	Peru	Canada
Denmark	Iceland	United States

## Choose the System that Meets Your Needs

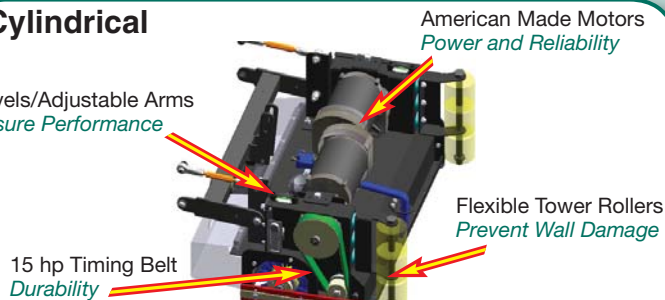
### Disk

Levels/Adjustment Arms  
Ensure Performance



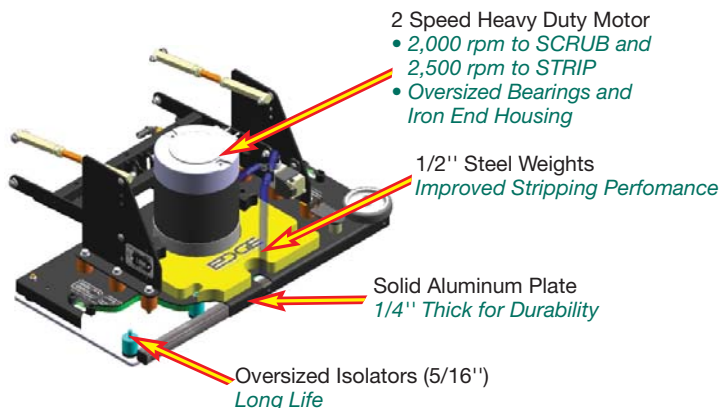
### Cylindrical

Levels/Adjustable Arms  
Ensure Performance



**TOMCAT  
EDGE**  
Surface Preparation Technology

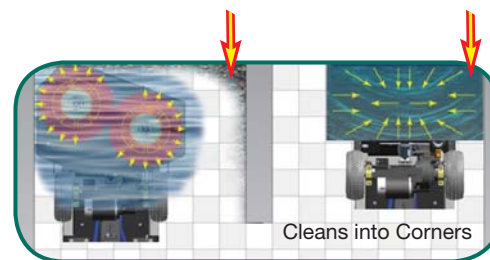
- Chemical Free Stripping
- Reduce Slip & Fall Potential
- Earn LEEDS Credits
- 70% Reduction in Water Usage
- Consistent Results – No Swirl Marks



Watch **EDGE** at:  
[www.youtube.com](http://www.youtube.com)  
Search: Tomcat Edge  
Scrubber Single  
Pass Stripping with  
only Water



**Square vs. Round:** **EDGE's** rectangular shape offers equal dwell time across pad width, unlike round pads, and cleans into corners and against baseboards.



# Walk Behind Scrubbers

The walk behind automatic scrubber line **TOMCAT** builds is renowned for its toughness, cleaning performance and value. The compact length allows the operator to maneuver into congested areas, and the unique design reduces the cost of ownership. The large solution and recovery tanks tip back for easy scheduled maintenance and the thick steel frame and heavy duty components keep these scrubbers working long after others have been discarded. These battery scrubbers have a recovery tank that permits complete flushing with full access to the tank's interior for improved sanitation. The four platforms utilize many of the same components for fleet operations, maximizing support efficiency.



**RETAIL**



**HOSPITALS**



**SCHOOLS**



**GROCERY**

## ***TOMCAT Scrubbers Include:***

A cleanable recovery tank, for thorough cleaning of the dirtiest part of any scrubber, reducing odors and potential contaminants distributed in food processing facilities.



Tip Back Tanks on the TOMCAT platforms allow for easy and "top side" access, reducing service costs by encouraging technicians to work from their feet instead of their backs.



**MICROMAG**



**MICROMINI**



**MINIMAG**



**MAGNUM**

<b>Disk Scrub Path:</b>	17", 20"	20"	20", 26", 28"	26", 30", 34"
<b>Cylindrical:</b>	NA	NA	24"	24", 27", 30", 34"
<b>Edge:</b>	20"	20", 24"	24", 28"	28", 32"
<b>Solution / Recovery Tank:</b>	10 gal/10 gal	10 gal/10 gal	17 gal/17 gal	30 gal/30 gal
<b>Run Time:</b>	Up to 3 hrs	Up to 3 hrs	Up to 4 hrs	Up to 5 hrs
<b>Coverage:</b>	Up to 20,525 sq. ft./hr.	Up to 24,675 sq. ft./hr.	Up to 27,245 sq. ft./hr.	Up to 33,535 sq. ft./hr.

# Rider Scrubbers

**TOMCAT's** rider scrubber lineup is designed to offer solutions to any range of customer needs. The tiny **RS** is smaller than many walk behinds and easily fits into elevators. The mid-sized **GTX** and large **XR** offer unmatched productivity with their oversized scrub decks and tank capacities. All units are front wheel drive for superior maneuverability and traction. **TOMCAT** riders all are built on a heavy duty steel frame, which protects the operator and the working components of the scrubber. Non-marking tires and corner rollers are included, and the operator's position offer ideal visibility.



**GOVERNMENT**



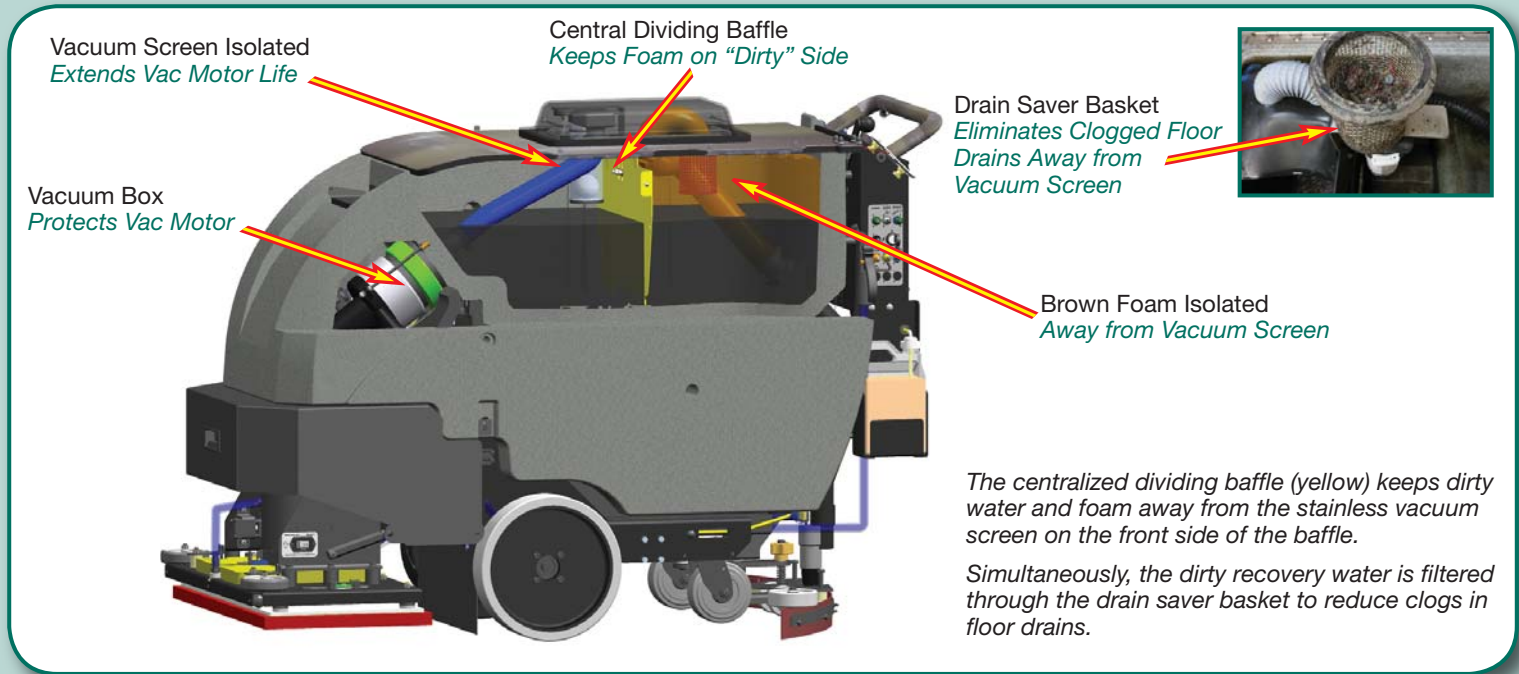
**SHOPPING MALLS**



**AIRPORTS**



**SPORTS ARENAS**



**RS**



**GTX**



**XR**

**Disk Scrub Path:**

20", 26", 28"

**Cylindrical:**

NA

**Edge:**

24", 28"

**Solution / Recovery Tank:**

22 gal/23 gal

**Run Time:**

Up to 4 hrs

**Coverage:**

Up to 26,745 sq. ft./hr.

26", 30", 34"

24", 27", 30", 34"

28", 32"

35 gal/35 gal

Up to 7 hrs

Up to 33,500 sq. ft./hr.

34", 40", 45"

34", 40", 46"

NA

65 gal/65 gal

Up to 5 hrs

Up to 46,643 sq. ft./hr.

# Sweepers

Our Sweepers are built to clean carpeting, artificial turf, tennis courts and warehouses. **TOMCAT** Sweepers pick up lint, wood chips, sand and dust in a single pass. These are the toughest sweepers available, and the steel construction keep them working for years to come. The brooms adjust automatically to floor levels while the unique filter has unmatched dust capacity and typically lasts the life of the machine. These machines are the only compact "industrial" rider sweepers available in the market.



	Model GT	VR (Rider)
<b>Sweep Path:</b>	34"	46"
<b>Main Broom:</b>	26" x 10"	32" x 10"
<b>Side Broom:</b>	(1) 17"	(2) 17"
<b>Hopper Capacity:</b>	2 cubic ft.	4 cubic ft.
<b>Material:</b>	E-Coat/Powder Painted Steel	
<b>Filter Type:</b>	Baghouse (1 micron)	
<b>Filter Size:</b>	5,182 sq. inches	
<b>Run Time:</b>	Up to 4 hrs	Up to 7 hrs
<b>Coverage:</b>	Up to 30,000 sq. ft./hr.	Up to 60,000 sq. ft./hr



## Common Customers:

- Airports
- Casinos/Hotels
- Sports Facilities

## Floor Applications:

- Carpeting
- Artificial Turf
- Concrete



# Burnishers



Our Burnishers bring propane quality shine and productivity to the battery field. Each unit was designed in house, is fabricated in the USA from heavy duty steel and quality domestic components. The fully floating head is allowed to follow the contours of the floor and the HD motor offers optimum shine at an operational speed. Dust control is a standard feature, which eliminates the need to dust mop afterwards. Our compact rider has front wheel drive and steering, allowing easy transit into elevators and through tight doorways. All units offer a variable pad pressure and flexible pad driver for a consistently top level result. Controls are simple marine duty switches and operator training is simple.



**SINGLE PASS SHINE**



	200/270	255
<b>Burnish Path:</b>	20" or 27"	27"
<b>Pad Diameter:</b>	20" or 27"	27"
<b>Burnish Power:</b>	3.0 hp	4.0 hp
<b>Pad Speed:</b>	20": 2,000 rpm 27": 1,800 rpm	1,800 rpm
<b>Dims (l"/w"/h"):</b>	54" x 25" x 50"	58" x 30" x 50"
<b>Run Time:</b>	Up to 3 hrs	Up to 4 hrs
<b>Coverage:</b>	Up to 28,000 sq. ft./hr.	Up to 28,000 sq. ft./hr.
<b>Traction Power:</b>	1.0 hp	2.0 hp

# Floor Machines



**Chemical Free Stripping:** Help the environment while saving money and just use water to remove floor finish. The **EDGE** system combined with our maroon "Prep Pad" prepares a floor for quick and easy recoat.

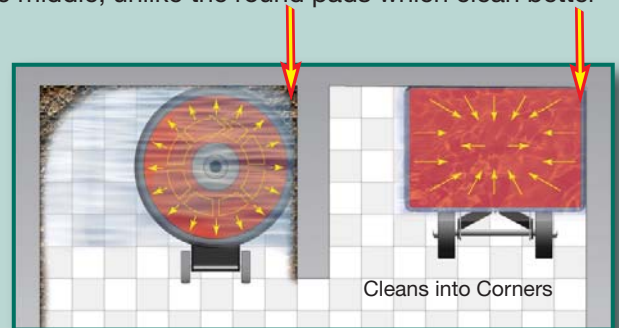
**Up to 70% Reduction in Water/Soap Usage:** **EDGE's** unique oscillating head doesn't fling water away from the cleaning area, so less water/soap is required to clean, increasing operator productivity.

Environmentally friendly "dry strip" approach is safer for the earth and operator, by eliminating harsh chemicals and slippery conditions.

**TOMCAT's EDGE** Series of surface preparation machines gives operators the ability to remove multiple layers of finish without using chemicals. Work with a variety of quality pads and prep and recoat a classroom six times faster.

	20"	28"
<b>Cleaning Path:</b>	20"	28"
<b>Pad Dimensions:</b>	20" x 14"	28" x 14"
<b>Motor Power:</b>	1.5 hp	1.5 hp
<b>RPM (HD 110v/60hz):</b>	3,450 rpm	3,450 rpm
<b>Material:</b>	Steel	Steel
<b>Weight:</b>	165 lbs.	185 lbs.
<b>Productivity:</b>	Up to 5,000 sq. ft./hr.	

**Uniform Cleaning:** **EDGE** Technology cleans into corners and better along walls. The rectangular pad allows equal dwell time of the pad on the floor from both sides into the middle, unlike the round pads which clean better in the center.



**Reduce Slip & Fall:** By eliminating chemical stripper one can easily reduce the potential for **Slip and Fall** accidents and improve employee/customer safety.

## POLISH TERRAZZO



## REMOVE PAINT



## REFINISH WOOD



## POLISH MARBLE



## AUTHORIZED DISTRIBUTOR

**Manufactured By:**  
**R.P.S. Corporation**  
**P.O. Box 241**

**Racine, Wisconsin 53401**  
**Phone: (800) 450-9824**  
**International: +011-262-681-6470**  
**Fax: (866) 632-6961**  
**www.tomcatequip.com**



Copyright R.P.S. Corporation 2014. All rights reserved.  
 Since our policy is one of constant improvement, all specifications are subject to change without notice.